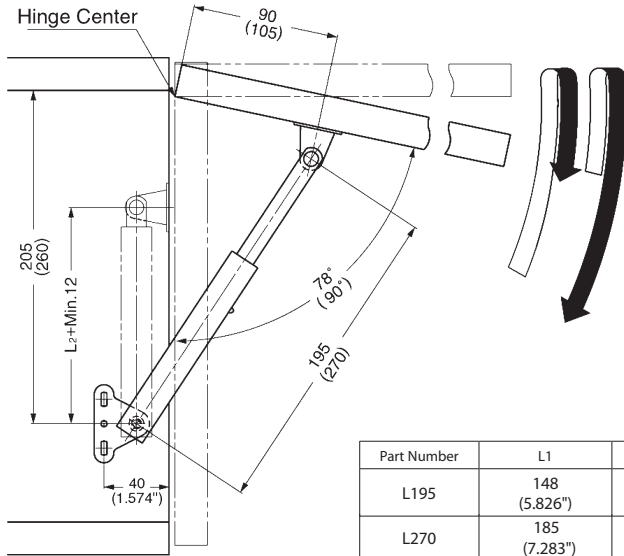


ALLEGIS
ATION



Part Number	L1	L2	L3	A	B	C	Door Height	Weight (g)
L195	148 (5.826")	121 (4.763")	129 (5.078")	133 (5.236")	62 (2.44")	195 (7.677")	250~350 (9.842-13.779")	125
L270	185 (7.283")	158 (6.220")	166 (6.535")	170 (6.692")	100 (3.937")	270 (10.629")	320~500 (12.598-19.685")	150

www.ALLEGISCORP.com		MATERIAL / FINISH :	
1-866-378-7550		304 Stainless Steel	
REV. :	DATE :	DESCRIPTION :	DRAWING NO. :
1 : 1	10-20-2017	Lid Stay	L195 / L270